

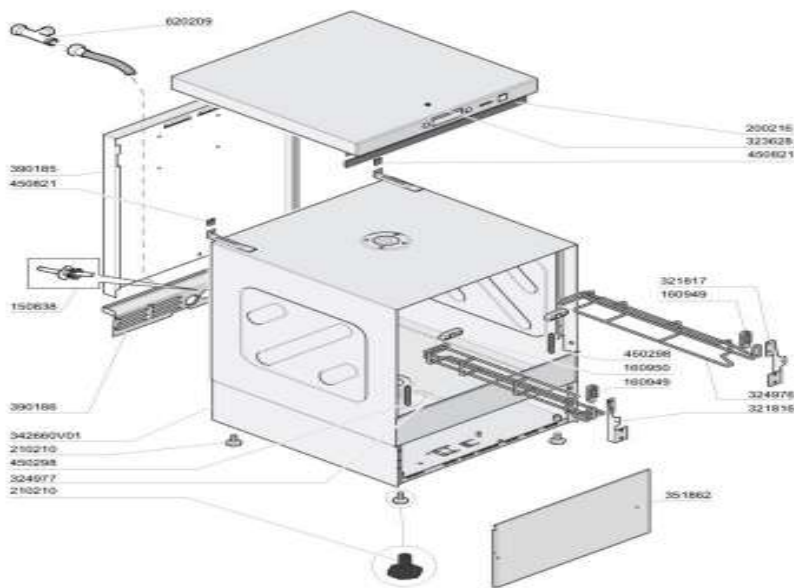


SD 5 EC BT2

- 1 Hood SD5ECBT2
- 2 Door components SD5ECBT2
- 3 Tank SD5ECBT2
- 4 Wash SD5ECBT2
- 5 Wash Arm SD5ECBT2
- 6 Rinse SD5ECBT2
- 7 Control Box SD5ECBT2
- 8 Pump SD5ECBT2
- 9 Detergent Injector SD5ECBT2
- 10 Drain Pump SD5ECBT2
- 11 Rinse Aid Injector SD5ECBT2



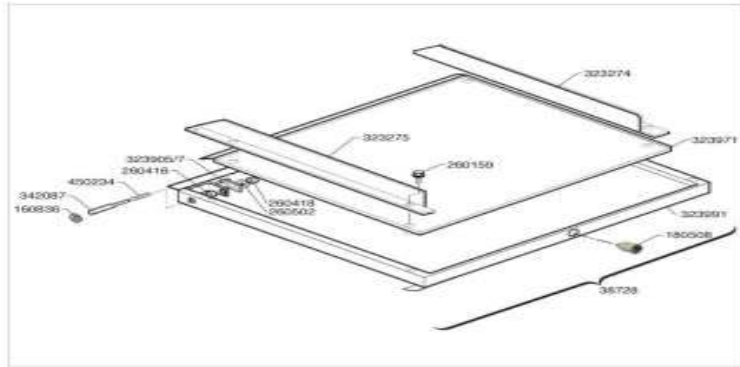
Hood SD5ECBT2



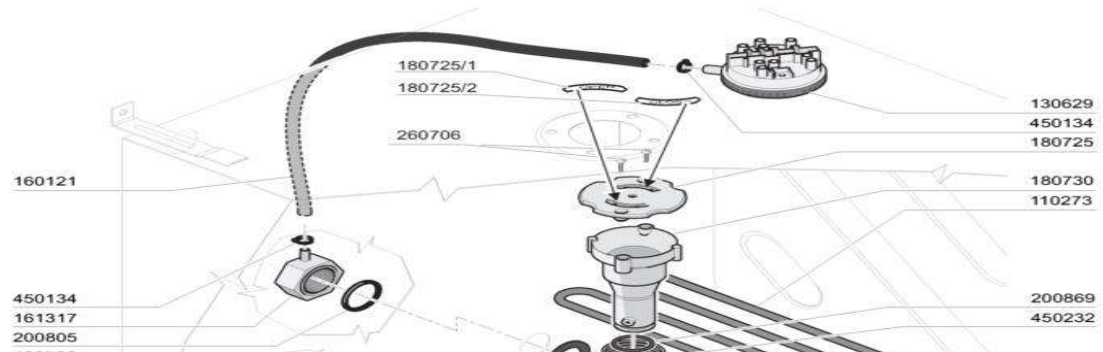
Code	Repl. by	Description
150838		CABLE HOLDER EGB PA2077 BHC
160949		BLOCCH.ANT.GUIDA CES.CE43-46
160950		BLOCCH.POS.GUIDA CES.CE43-46
200216		GUARN.PORTA LF2004 (rev.C)
210210		PIEDINO BASE ESAGONALE H=30
321816		CERNIERA ROTAZ.PORTA SX CE60
321817		CERNIERA ROTAZ.PORTA DX CE60
323628		PANNELLO SUPER.COMAN.CE60-2018
324976		GUIDA CEST.IN TOND.DX PF/CE60
324977		GUIDA CEST.IN TOND.SX PF/CE60
342660V01		CARROZZERIA C60 2V/PF45 "RCD"
351862		PANNELLO FRONTALE C 60 E
390185		PANNELLO POSTER.C60E/LF
390186		PANNELLO POST.INF. LF 2004
450298		MOLLA PORTA L=68 DE=12,9 D=1,5
450821		PIASTRINA FASTNER 5 MA

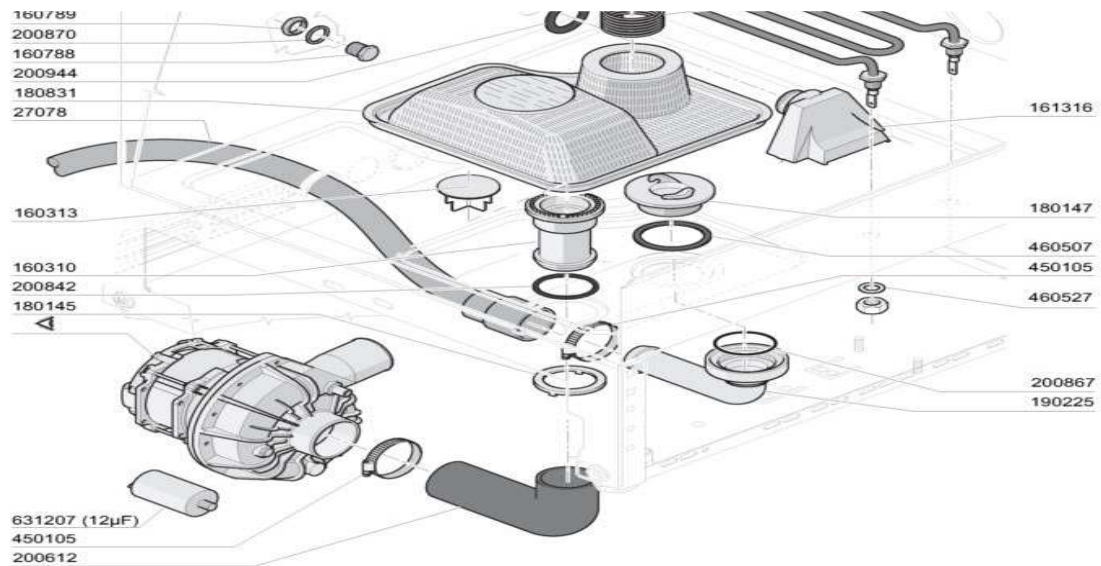
620209

WATER FILTER COMPLETE

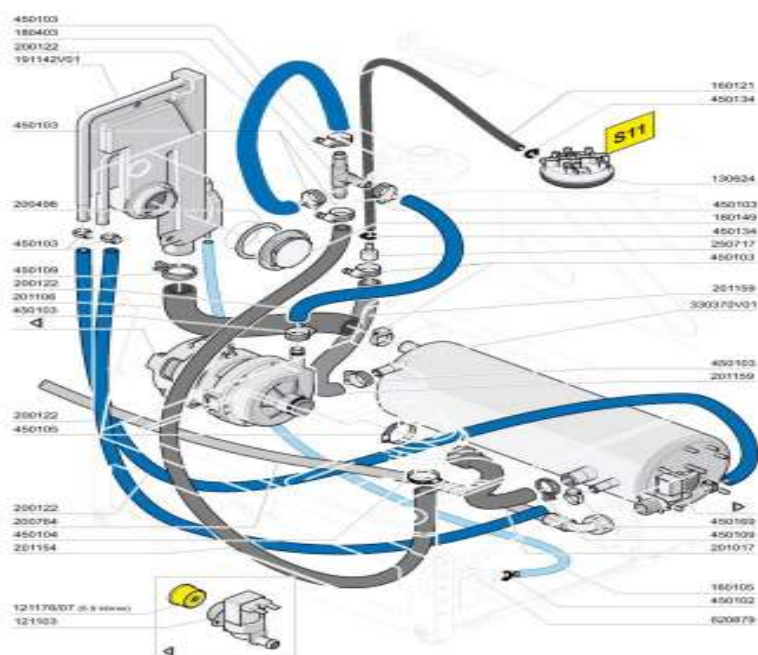


Code	Repl. by	Description
160836		
180508		
260159		
260416		
260418		
260502		
323274		
323275		
323905/7		
323971		
323991		
342087		
38728		
450234		
160121		
450134		
161317		
200805		

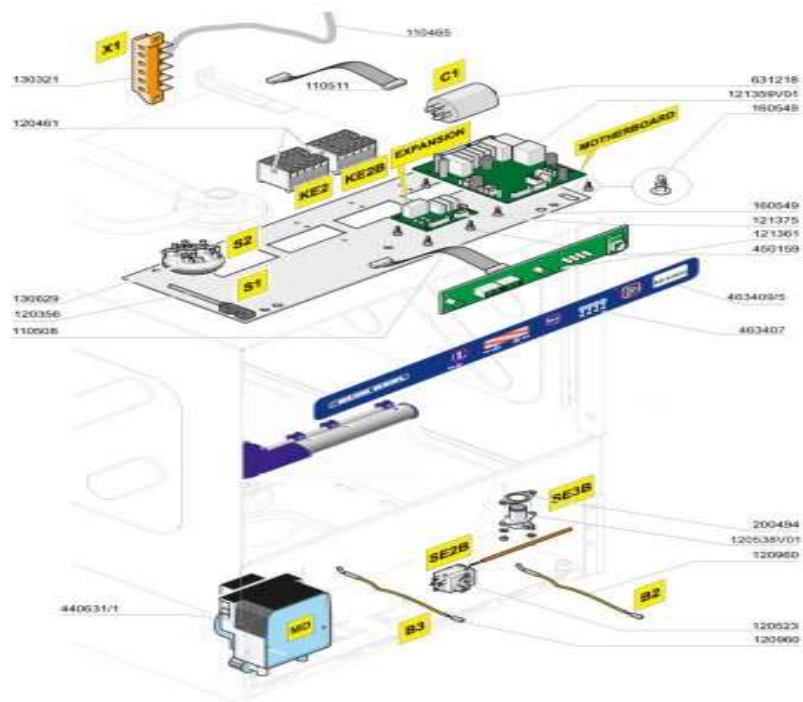




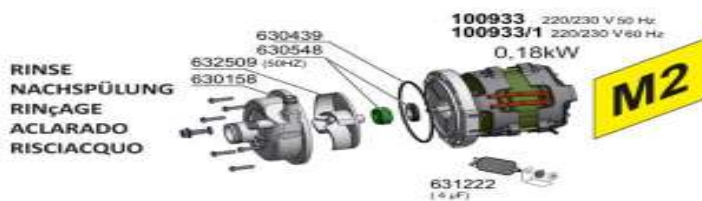
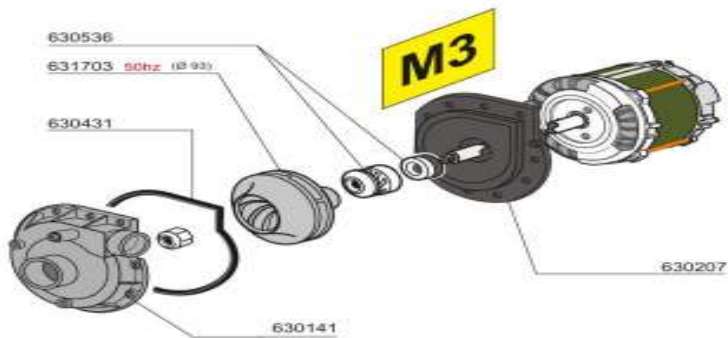
Code	Repl. by	Description
110273		TANK HEATING ELEMENT 2000W 230V
130629		PRESSURE SWITCH 1L.28-12 ART.761175
160121		HOSE EPDM 5X9
160310		PILETTA ASP.NE POMPA BHC
160313		VORTEX BREAKER PUMP SUCTION
160788		PLUG PLASTIC M10
160789		NUT
161316		AIR CHAMBER PRESS.SW. CE/STE/HSP
161317		NUT FOR AIR TRAP
180145		NUT FO DRAIN SUCT. P.
180147		CROSSLESS HOOK SLEEVE
180725		OVERFLOW PIPE COVER
180725/1		PLACCHETTA OPEN X COPER.180725
180725/2		PLACCHETTA CLOSE XCOPER.180725
180730		PLACCHETTA CLOSE XCOPER.180725
180831		TANK FILTER C5360E
190225		DRAIN OUTLET
200612		PUMP INLET HOSE C 53/60 E
200805		GASKET OR 2,62X28,24X33,48
200842		GUARNIZ. OR 158 PB701 NITRILE
200867		OR GASKET 45,69X50,93X2,62
200869		GASKET OR 3,53X20,22X27,28MM
200870		GASKET 18X10X2
200944		GASKET AIR CHAMBER CE
260706		SCREW 3,9X13 INOX UNI 6954
27078		DRAIN HOSE, DIA.24X1500
450105		CLAMP FE ZN.26-38 H=12,2
450134		ELASTIC HOSE CLIP D. 9,3-8,8
450232		SPRING OVERFLOW PIPE C/ST/HSP
460507		GASKET 55X42X2 NBR
460527		GASKET 21X13X2 FASI
631207		CAPACITOR 12,5MF.450V 85 C



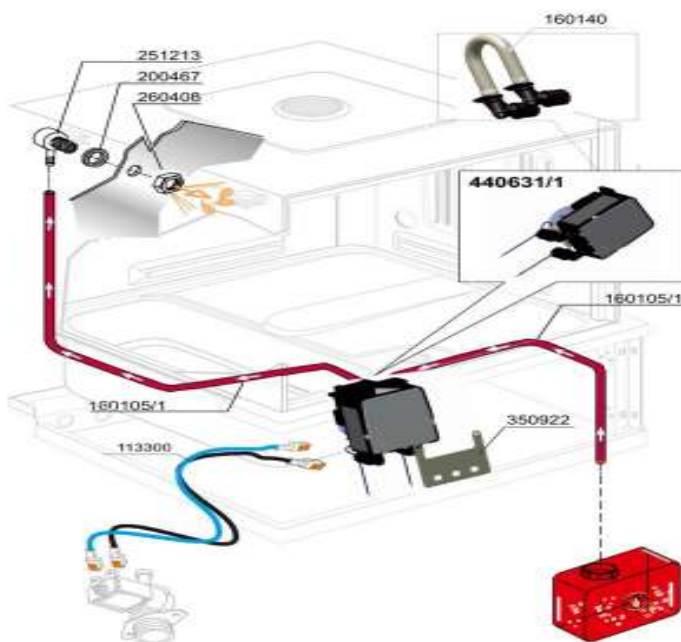
Code	Repl. by	Description
121103		ELETTR.1 VIA F/FC/B 5,5 lt/m
121176/07		REG.PORT.ING.T&P 5,5l/m.GIALLO
130624		PRESSURE SWITCH 1 LEV. 110-70
160105		TUBO FL.CRIST D.6X4 x DOS
160121		HOSE EPDM 5X9
180149		GHIERA x SERB. AIR GAP
180403		TEE-NIPPLE D.13
191142V01		AIR GAP BT CE-TL CAT.4
200122		HOSE 11X19 CASER 15" BLUE
200498		GUAR.NEOP.1 1/2" D.65X47X2
200764		INLET HOSE EN61770 WRAS 2MT
201017		MANIC.ASP.POMPA RISC.LF/FC BT
201106		TUBO COLLEGAM. BOILER BT F/E
201154		TUBO ALIM.RISC.INF.CE43/46
201159		TUBO PRESSOST.LIV.BOILER BT
250717		RIDUZ.INOX DA D.18 A D.6,5
330370V01		BOILER BREAK TANK CE 60/PF
450102		CLAMP FE ZN 11-17 H=9
450103		CLAMP FE ZN.13-20 H=9
450104		CLAMP FE ZN.15-24 H=12,5
450105		CLAMP FE ZN.26-38 H=12,2
450109		CLAMP FE ZN 50-65 H=12,2LAM
450134		ELASTIC HOSE CLIP D. 9,3-8,8
450169		HOSE CLAMP ABA 13-20 9MM.W1
620879		RINSE AID DISPENSER BT



Code	Repl. by	Description
110465		CAVO PENT.GOMMA 5X1,5 H07 RNF
110508		SERIAL CABLE MT.2 4 POLES
110511		FLAT CABLE SCHEDA HF/PF L=0.2M
120356		REED x FC
120461		CONTACTOR ABB B6-30-01 220V
120523		TERMOST.SICUR.110? P5072
120538V01		SAFETY THERM. TANK 85°C AUTO REARM.
120960		PROBE TEMPERATURE NTC 3.3K
121359V01		PCB HAC PLUS (P7)
121361		CONTR. KEYBOARD DIGIT 7S 2X3 RED
121375		EXPANSION BOARD CEBT TL
130321		JUNCTION BOX 6 POLES FV 122
130629		PRESSURE SWITCH 1L.28-12 ART.761175
160549		SUPPORT PLATINE CE TL
200494		GASKET FOR TANK THERMOSTAT BIMET
440631/1		DET. PUMP EL. SEKO NBR-3 230V
450159		SUPP.ADES.xCIRC.STAMPATI
463407		TARGA COMANDI SD-SG5 BLUE S.17
463409/5		TARGHETTA RES.ADES. SD5 EC BT2
631218		ANTI-NOISE FILTER 16A L-C

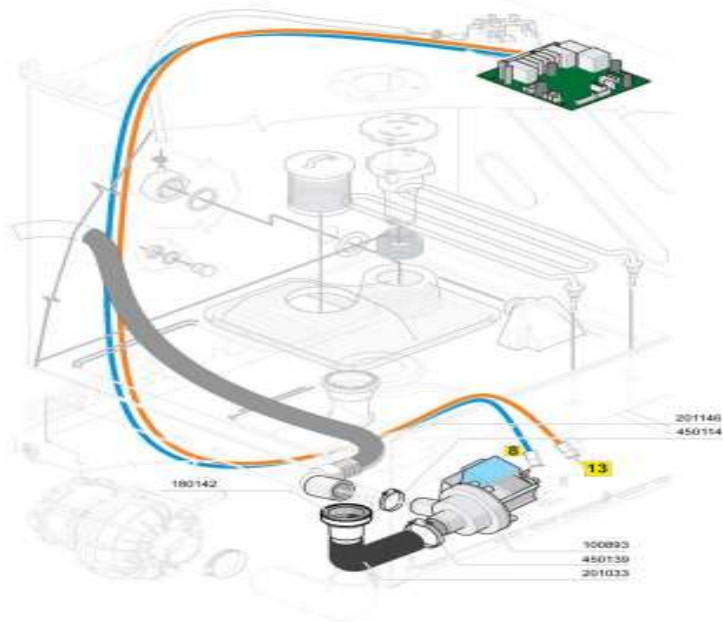


Code	Repl. by	Description
100933		PUMP CRC-R-DX 230V(MAND.D.12)
630141		PUMP HOUS. LGB ZF350SX
630207		FLANGIA ASPIR.LGB ZF350SX 230V
630431		GASKET OR PUMP LGB ZF350SX
630439		GUARNIZ.CRC2-R-DX (2575R)
630536		MECH.SEAL PUMP LGB350SX 230V
630548		TENUTA ROTANTE CRC-2-DX(1001R)
631703		IMPELLER 50HZ D.93 LGB ZF350SX
632509		GIRANTE CRC-R-DX 50hz (2574R)

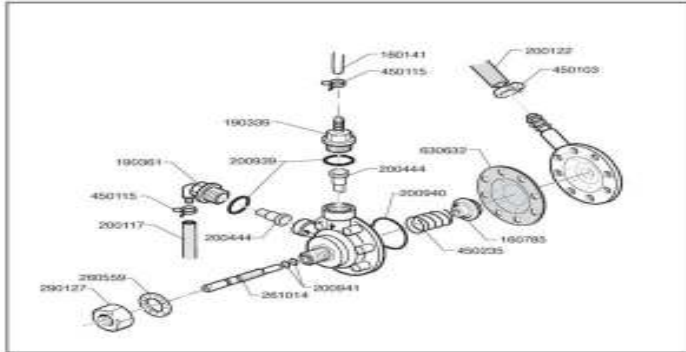


Code	Repl. by	Description
113300		WIRING DETERG. PUMP

160105/1	INJECT.INLET HOSE D.6X4MM RED
160140	HOSE DETERGENT PUMP SEKO 90?
200467	DUTRAL GASKET F.AIR TRAP
251213	INJECTOR S/S FOR DETERGENT IN
260408	S/S NUT D.12 INOX UNI5588
350922	PLATE FIX. DET.PUMP SEKO 440631/1
440631/1	DET. PUMP EL. SEKO NBR-3 230V



Code	Repl. by	Description
100893		DRAIN PUMP 30W 230V50HZ
180142		RACCORDO X POMPA SC.BHC-HR
201033		DRAIN PUMP INLET HOSE 90?
201146		DRAIN HOSE 18,5X2000
450114		CLAMP FE ZN.22-32 H=12,2
450139		CLAMP FE ZN 26-38 H=9



Code	Repl. by	Description
160141		RINSE AID TUBE 4X7 ROLL
190361		RACC. VALV. A 90° BRILL.620736
200117		TUBO GOMMA 8x15 CALORFORM/10
200122		HOSE 11X19 CASER 15" BLUE
200444		SUCTION VALVE RINSE INJECTOR
200939		OR GASKET RINSE AID DISP.
200941		GUARN. OR x VITE REGOL.DOS.BRI
260559		ROND.DENT.INOX A2D.12 DIN6798
261014		SCREW CONTROL RINSE AID DISP. HVD
290127		DADO FISS. DOSATORE
450103		CLAMP FE ZN.13-20 H=9
450115	450165	FASCETTA A DUE FILI D.8,3/7,8
620736		RINSE AID DISP. C35/43/46E-HC3/4
630632		DIAPHRAGM RINSE AID DISPENSER HVD

3/13/2019